



# SN-IPR57/02BYDN/B

2MP IR Bullet Network Camera



## Key Features

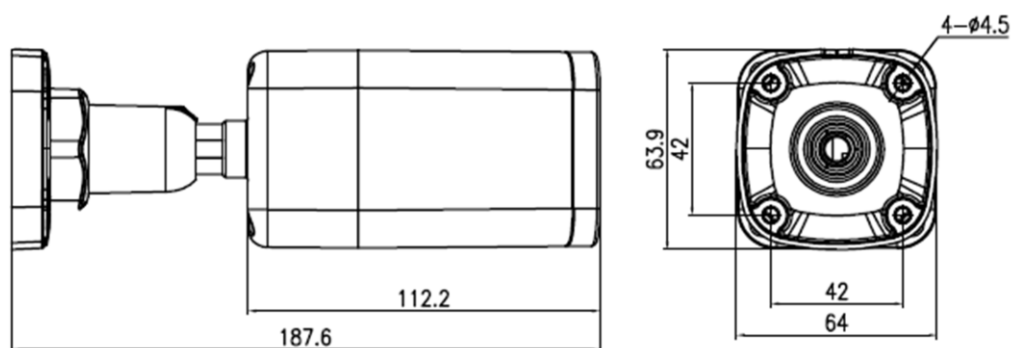
- 1/2.7" progressive scan CMOS
- 2.8 mm (3.6 mm optional)
- 25/30fps @ 2MP(1920x1080)
- Triple streams
- WDR, 3D DNR, ROI, HLC, BLC, Aisle mode, Defog
- Smart IR up to 30m
- IP67

# Specification

Camera	
Image Sensor	1/2.7" Progressive Scan CMOS
Effective Pixels	1920(H)×1080(V)
Electronic Shutter	Auto/Manual, 1/5 ~ 1/20,000s
Min. illumination	Color: 0.01 Lux @ (F1.2,AGC ON) , B/W: 0 Lux @ (IR LED ON)
S/N Ratio	55 dB
Day/Night	Auto(ICR)/Day / Night/Timing
Wide Dynamic Range	120 dB
IR Range	Up to 30 m (114.8 ft)
IR On/Off Control	Auto/Manual
Pan/Tilt/Rotation Range	Pan: 0° ~ 360°, Tilt: 0° ~ 90°, Rotation: 0° ~ 360°
Lens	
Focal Length	Fixed
Iris	Fixed Iris
Focal Length	2.8 mm (3.6 mm optional)
F Number	F2.0
Angle of View	H: 105°, V: 55°
Focus Control	Fixed
Video	
Max. Resolution	2MP (1920×1080)
Streaming Capability	3 Streams
Stream/Frame Rate	Stream1: 1920×1080, 1280×720 @ 25/30fps Stream2: D1, VGA, 640×360, CIF, QVGA @ 25/30fps Stream3: VGA, CIF, QVGA @ 25/30fps
Bit Rate Control	CBR/VBR
Bit Rate	Stream1: 200kbps ~ 12Mbps Stream2: 10kbps ~ 3Mbps Stream3: 10kbps ~ 1.5Mbps
Image Enhancement	HLC/BLC/Anti-shake/Defog /WDR
White Balance	Auto/Tungsten/Fluorescent/Daylight/Shadow/Manual
Mirror	Support
Aisle Mode	Support
Noise Reduction	2D/3D DNR
Region of Interest	Off/On (8 Zone, Rectangle)
Motion Detection	Support
Privacy Masking	Support

Network	
Protocols	IPv4/IPv6, 802.1x, HTTP, HTTPS, TCP/IP, UDP/IP, RTSP, DHCP, NTP, RTCP/RTP, PPPoE, SMTP, DNS, UPnP, FTP, ARP, SNMP
Interoperability	ONVIF, SDK, CGI
Streaming Method	Unicast
Max. User Access	10 Users
Web Viewer	<IE11, Chrome, Firefox
Management Software	SunView
Intelligence	
IVS	Perimeter, Single Virtual Fence, Double Virtual Fences, Loiter, Multi Loiter, Object Left, Object Removed, Abnormal Speed, Converse, Illegal Parking, Signal Bad
Interface	
Ethernet	1 Ethernet (10/100 Base-T) RJ-45 Connector
Audio	N/A
Alarm	N/A
Electrical	
Power Supply	DC12V/POE (IEEE 802.3af)
Power Consumption	Max 4.5 W
Operating Temperature	-30°C ~ 50°C (-22°F ~ 122°F )
Operating Humidity	Less than 90% RH
Ingress Protection	IP67
Certifications	CE/FCC
Casing	Metal
Dimensions	187.6 × 64 × 64 mm (7.39 x 2.52 x 2.52 inch)
Net Weight	0.54 kg (1.19 lb)

## Dimensions (mm)



## Accessories

### Optional:



SN-CBK649A  
Junction Box



SN-CBK627B  
Pole Mount